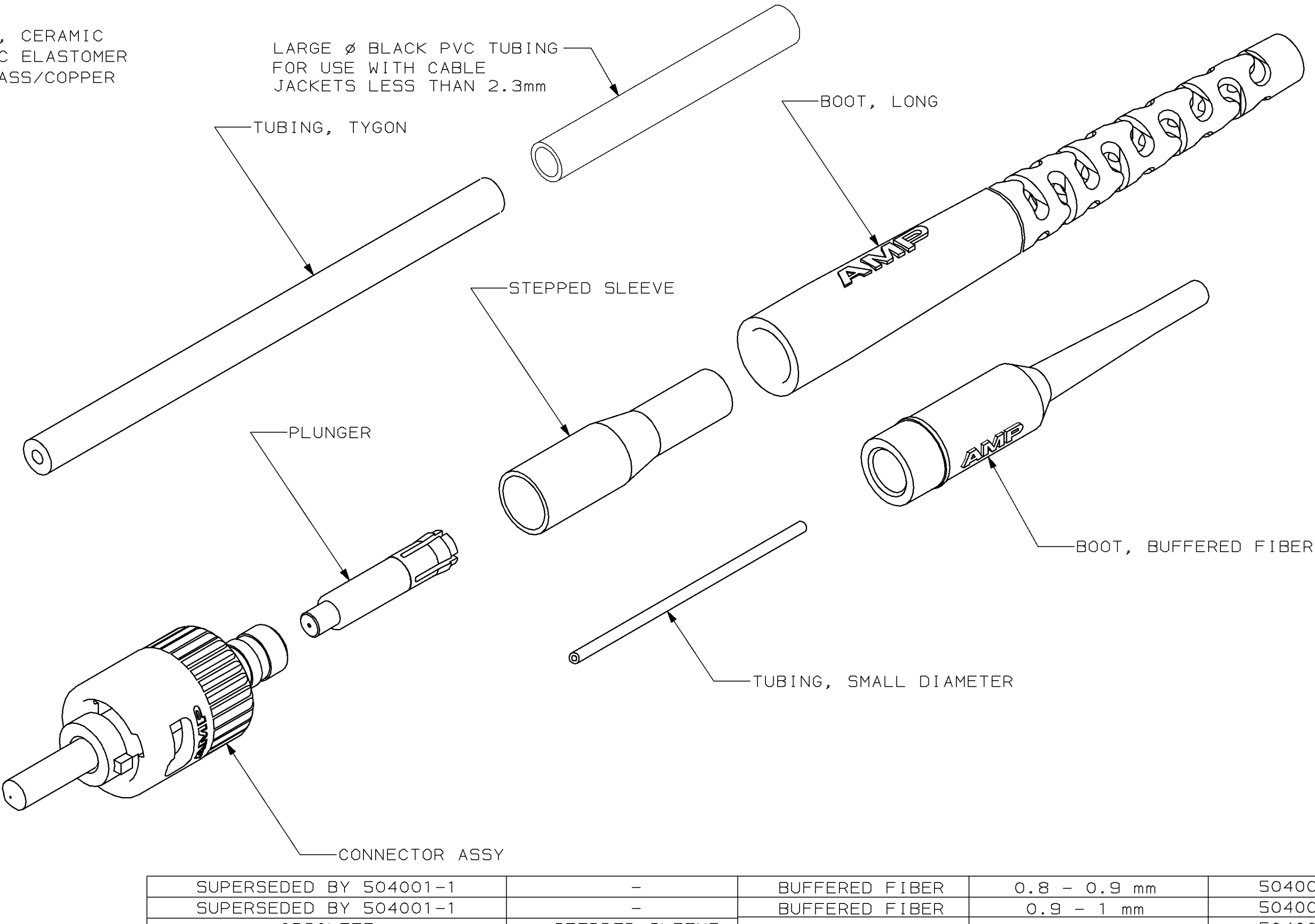


LOC		DIST		REVISIONS				DATE	APPD
CE	16	P	F	ZONE	LTR	DESCRIPTION	7-8-96	DDE	
				G		REV PER 0A00-0318-96			

① CONNECTOR ASSY: AL, CERAMIC
 BOOT: THERMOPLASTIC ELASTOMER
 STEPPED SLEEVE: BRASS/COPPER
 PLUNGER: AL

② STEPPED SLEEVE: Ni



SUPERSEDED BY 504001-1	-	BUFFERED FIBER	0.8 - 0.9 mm	504001-6
SUPERSEDED BY 504001-1	-	BUFFERED FIBER	0.9 - 1 mm	504001-5
OBSOLETE	STEPPED SLEEVE	LONG	500µm	504001-4
SUPERSEDED BY 504001-1	-	BUFFERED FIBER	250µm	504001-3
SUPERSEDED BY 504001-1	STEPPED SLEEVE	LONG	0.8 - 0.9 mm	504001-2
SUPERSEDED BY 504001-1	STEPPED SLEEVE	LONG/ BUFFERED	250µm/ 0.8 - 1 mm	504001-1
	CRIMP SLEEVE	BOOT TYPE	BUFFER SIZE	PART NO

DO NOT SCALE PRINT.
 UNLESS SPECIFIED
 DIMENSIONS IN mm [INCHES]
 TOLERANCES ON :
 2 PLC DEC ± -
 3 PLC DEC ± -
 ANGLES ± -

MATERIAL

①

FINISH

②

DR 8-29-92
 D ERDMAN

CHK 8-29-92
 B EDWARDS

APPD 9-21-92
 S GRINDERSLEV

APPD 8-29-92
 K MONROE

PRODUCT SPEC

-

APPLICATION SPEC

-

WEIGHT

-

AMP AMP Incorporated
 Harrisburg, PA 17105-3608

NAME
 KIT, CONNECTOR, 125µm
 2.5mm BAYONET, XTC
 MULTIMODE

SIZE CAGE CODE DRAWING NO
 C 00779 G=504001

SCALE SHEET 1 OF 1

THIS DRAWING IS A CONTROLLED DOCUMENT FOR AMP INCORPORATED. IT IS SUBJECT TO CHANGE AND THE CONTROLLING ENGINEERING ORGANIZATION SHOULD BE CONTACTED FOR THE LATEST REVISION.